

Cirrus – Surface Mounted

Transforming Office lighting with LED

December 2013

PHILIPS



Cirrus – Surface Mounted

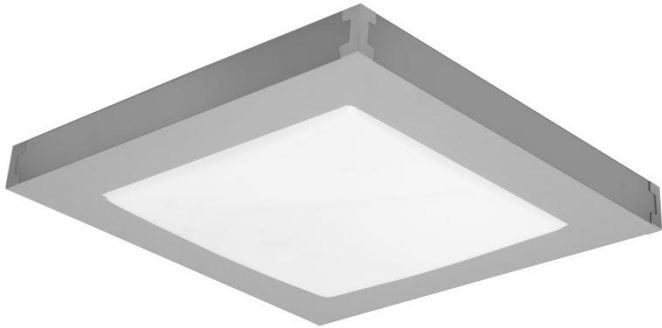
Led Solution in surface mounting, Efficacy: 80 lm/w, Long Life



- Surface Mounted Led Luminaire offering a perfect combination of Innovative design and state of Art LED technology.
- Considerable Energy Savings : **50% Compared to 2xPLL 36w and 30% compared to 4xTL-514w**



Cirrus – Surface Mounted: High Efficacy, Maintenance free, Long Life Solution & Easy To Experience



Performance : A perfect blend of the latest LED technology and efficient optics ensures perfectly uniform illumination and high Lumen/ watt (80)

Long-life: Controlled Design/ manufacturing ensures quality and use of long-life materials ensure Robust Product.

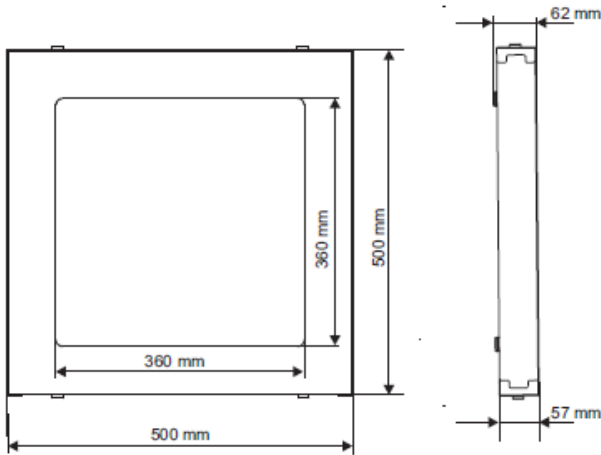
Simple and quick: Easy to Install without any specialized tools.

Fit and Forget : High efficiency, a long service life and almost complete freedom from maintenance significantly reduce operating costs.





Product Specifications



Type	Cirrus SM365C & SM366 C
Light source	LED Module
Wattage	40 Watt (System Wattage)
Luminous Flux	LED 33S : 3200 Lm
Color Temperature	5000 K
Efficacy Lm/w	> 80 Lm /w
Color Rendering Index	> 70
Driver	Electronic In-Built
Mains Voltage	220-240v , 50 / 60 Hz
Driver	Electronic In-Built PF > .9 , THD < 10% , IEC Compliant for Safety , Performance & EMI
Material	Housing : CRAC Housing, diffuser : high efficiency opal Dish Diffuser
Color	Grey
Maintenance	Luminire Sealed from Bottom. Open-able from front by removing the front cover after removing 4 thumb screws.
Installation	Surface Mounted For Concrete, True Ceiling or Wooden Board ceiling.
Applications	General Lighting In offices, circulations Areas

Applications

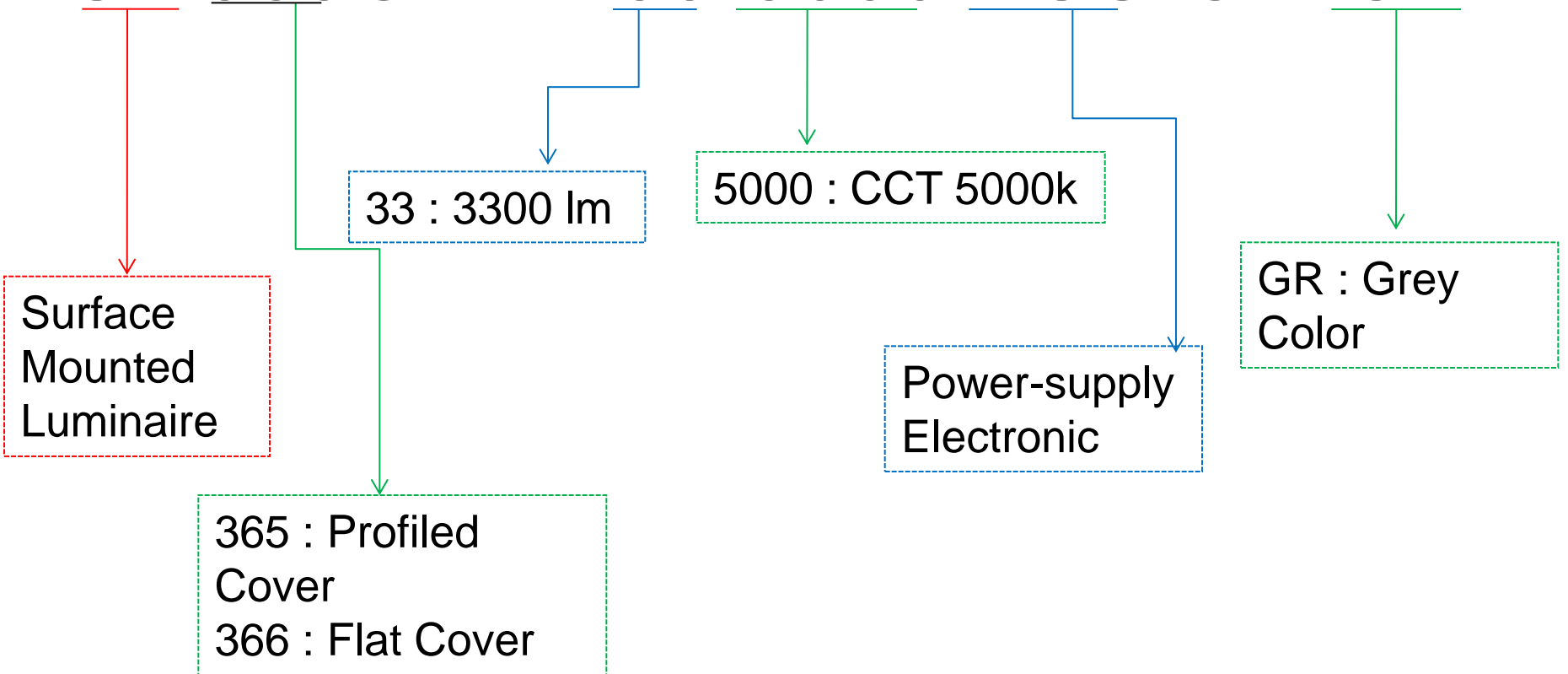
- Mid & Small offices
- Other Buildings with no false ceiling





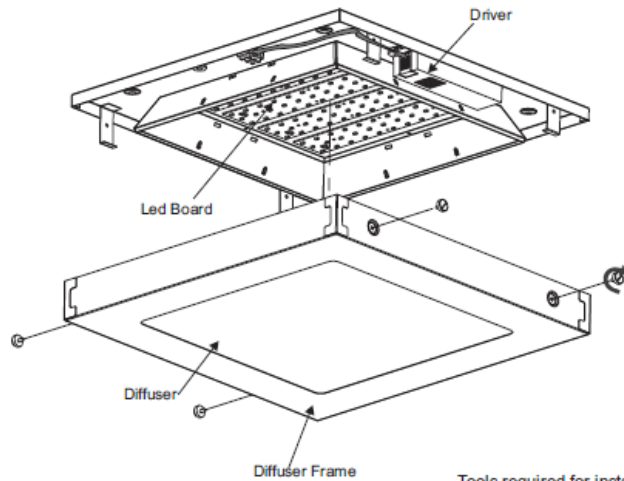
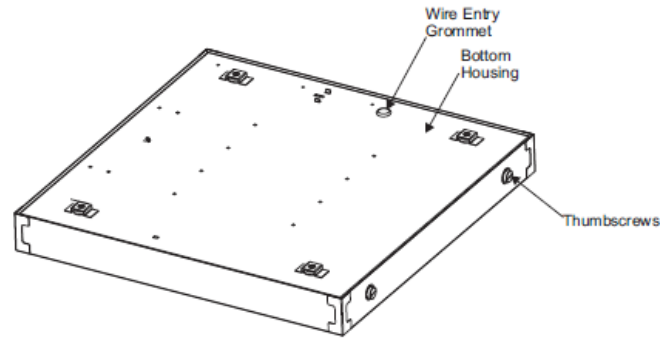
How to read the Cat ref

SM365C LED33-5000 PSU OD GR





Installation Details



Open the Diffuser Frame for Maintenance of the Luminaire by removing 4 Nos.Thumbscrews.

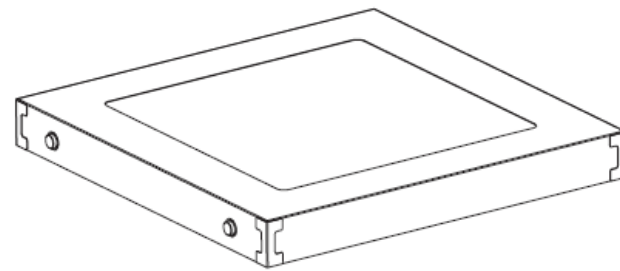
- Tools required for installation :
- 1 - Measuring Tape
 - 2 - Drill machine
 - 3 - Screw Driver
 - 4 - Plastic Gloves

Installation Instructions PHILIPS

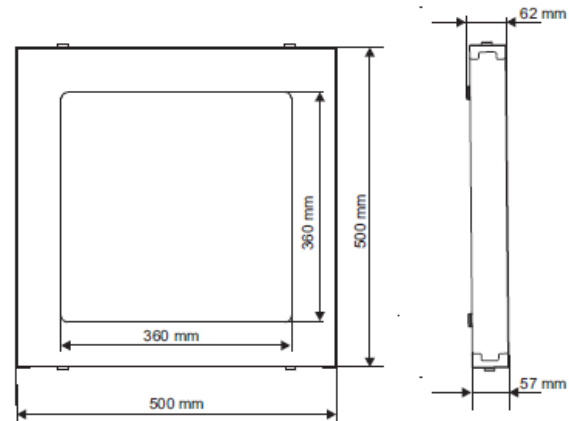
CIRRUS
Surface



⚡ THIS LUMINAIRE MUST BE EARTHED



Product Dimensions



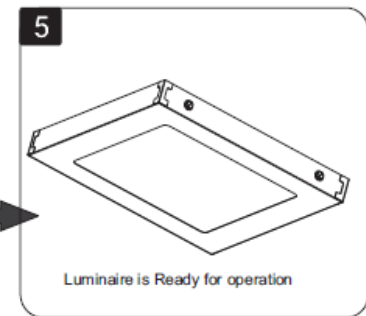
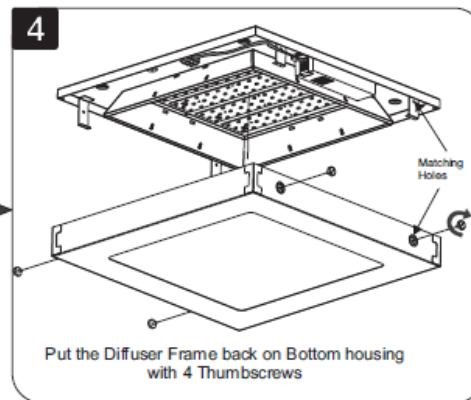
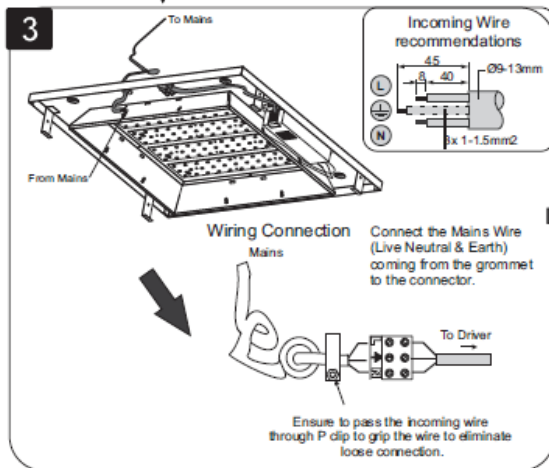
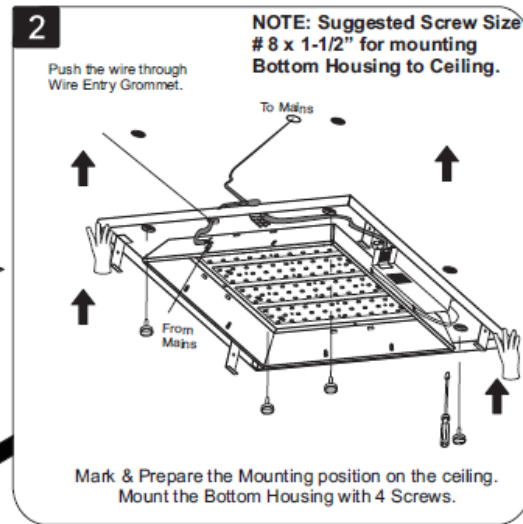
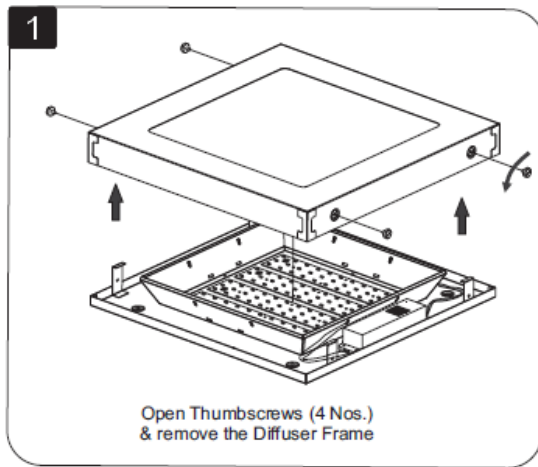
! ATTENTION: Install in accordance with national and local building and electrical codes.

PHILIPS

PHILIPS



Installation Details





Ordering Data & technical Details

Technical Details			
TYPE	Nominal Voltage	Mains current	Nominal Power Factor
SM365C LED33-5000 PSU OD GR	240V	0.18 A	>0.9
SM366C LED33-5000 PSU OD GR	240V	0.18 A	>0.9

Ordering Details					
TYPE	Ordering Data	qty/ Box	dimensions(mm)	nett Wt	Gross Wt
919515810299	SM365C LED 33-5000 PSU OD GR	2	545 X 545 X 180	4 KG	10.4 KG
919515810334	SM366C LED33-5000 PSU OD GR	2	545 X 545 X 180	4 KG	10.4 KG

